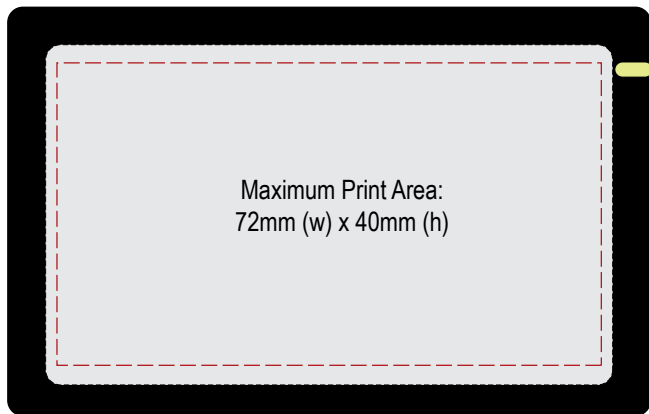


The Range®

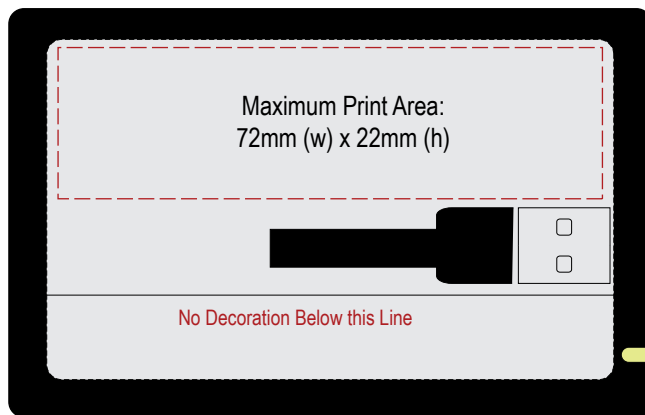
ART APPROVAL LAYOUT

Product size: 85mm (w) x 54mm (h)

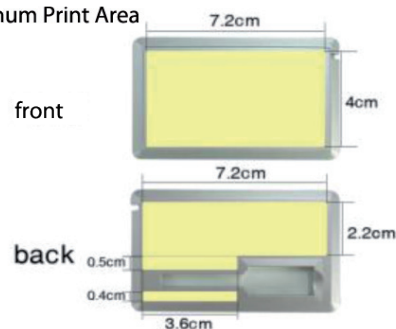
Front view



Back view



Maximum Print Area



PRODUCT: 7989 - Credit Card USB Flash Drive
 PRODUCT COLOUR: PMS
 PRODUCT SCALE: 100%
 POSITION(S): Centre Front or Back
 PRINT COLOUR(S): PMS
 DECORATION METHOD: Pad Print
 ART SIZE(S): 00mm(w) x 00mm(h)
 DISPATCH DATE: _____ (Subject to approval date/time)

QTY: _____ ORDER NUMBER: _____
 EXTRAS: _____ MEMORY SIZE: _____
 PACKAGING: _____
 OTHER: _____
 NOTES: _____

- FIRST SUBMISSION 1st Jan 2012
- REVISION 1
- REVISION 2
- REVISION 3
- REVISION 4

- Approved - Proceed to Mass Production
- Approved - Digital Sample Required
(Note: this may add an additional 3 days to overall delivery time)
- Approved - Physical Sample Required
(Note: extra charges may apply add 3 - 5 days to the overall process)
- NOT Approved

NAME: _____ COMPANY: _____
 SIGNATURE: _____ DATE: _____
 COMMENTS: _____
